



Model No.	8700-60W-24V-CLASS2		
-----------	---------------------	--	--

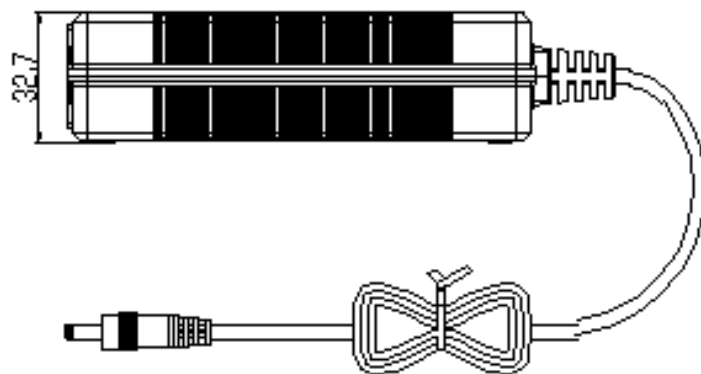
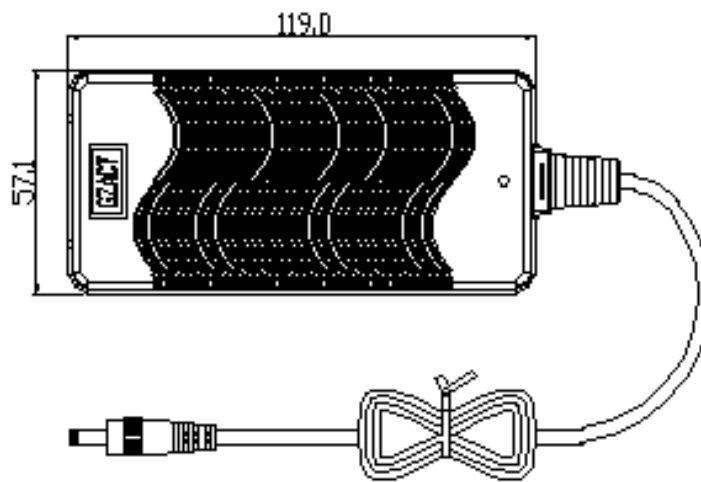
1.Electrical Characteristics:		
Items	Specification	Remarks
1.1 Input:		
1.1.1 Input Range Voltage	100-240Vac	Tolerance is10%
1.1.2 Input Range Frequency	47Hz(Min)-63Hz(Max)	Rated 50/60Hz
1.1.3 Efficiency	Arg. >84%	100%,75%,50%,25% Rated Load condition. Averageefficiency
1.2 Input Protection:		
1.2.1 Over-current	Input power is off by a fuse	Fuse ratings 3.15A/250Vac
1.3 Output:		
1.3.1 Output Voltage	24Vdc+/-5%	
1.3.2 Output Current	0~3A	
1.3.3 Line Regulation	2% Max.	
1.3.4 Load Regulation	5% Max.	
1.3.5 Ouput Power	72W	At full load and within input voltage 100- 240Vac
1.3.6 Ripple + Noise	360mV Max.	Oscilloscope bandwidth=20MHz, 10uF/50V electrolytic and 0.1uF/50V ceramic capacitors are connected at output
1.3.7 Rise Time	3S Max.	At Vin=100Vac/60Hz
1.4 Output Protection		
1.4.1 Over-load	No odor,smoke,fire,plastic deformation and excessive heat happen	Increase load current gradually until the output is shorted or burst.
1.4.2 Short -circuit	No odor,smoke,fire,plastic deformation and excessive heat happen	OCP runs.it can be automatically restored normal when the overcurrent condition removed,the Overcurrent output current is between 1.2-2 times .
1.5 Safety Standard:		
	ETL	UL1310
	CE	EN60950

1.6 EMC Standard:		
1.6.1 EMI	EN55032:2015,EN55024	
1.7 Others:		
1.7.1 Dielectric Withstanding Voltage (Primary to secondary)	1500Vac/<10mA/60S	The voltage applied to the insulation under test is gradually raised from zero to the prescribed voltage and held at the value for 60 seconds
1.7.2 Insulation resistance(Primary to secondary)	30MΩ, 500Vdc	1S
1.7.3 M.T.B.F	More than 30000 hours	At full load 25°C

2. Mechanical Characteristics:		
2.1 Dimension	119*57.1*32.7mm	Length*Width*Height, ref. case drawing
2.2 AC Inlet	IEC C14	
2.3 AC cable	US 3pins,18AWG*3C, 1.5M with IEC C13 connector	Ref. AC cable drawing
2.4 Case Material	PC	
2.5 DC cord	UL2464 20AWG*2C, 1.5M length with 5.5*.2.1*10MM DC connector	Ref. DC cord drawing
2.6 DC connector Type	DC Plug:5.5*2.1*10mm	Straight(barrel fork)
2.7 DC connector Polarity	Inner:Positive; Outer: Negative	
2.8 Surface	Damaged or rusted surface is not permitted	
2.9 Drop Test	X-Y-Z direction, 1M,one tieme with each direction	After test, unit is not broken, disassembled or damaged to access hazardous parts.
2.10 Vibration Test	Frequency=10-55-10Hz, Amplitude 1.5mm, X-Y-Z direction, 30 minutes each direction	Under non-operating status, meet specification after test
2.11 Strain Relief Bend Test	200g, total 180 degree,1500 times	Meet specification after test
2.12 Strain Relief Pull Test	Force 4Kg, 1 minute	Meet specification after test
2.13 Cord Pull Test	Force 7kg, 1 minute	Metter specification after test
2.14 Color	White	Fine texture

Environmental Characteristics:		
3.1 Storage Temperature Range	-10°C~70°C	Typical 25°C
3.2 Operating Temperature Range	0°C~40°C	Typical 25°C
3.3 Storage RH Range	5%~90%	RH: Relative Humidity, Non-condensing
3.4 Operating RH Range	5%~90%	RH: Relative Humidity, Non-condensing
3.5 Burn-in	2hours(Normal)~4 hours(New item)	Each unit before shipping, full load at Vin=220Vac

4.1 Case drawing



5.1 AC cable drawing

