

## 6588-RGB-2815-100 Series



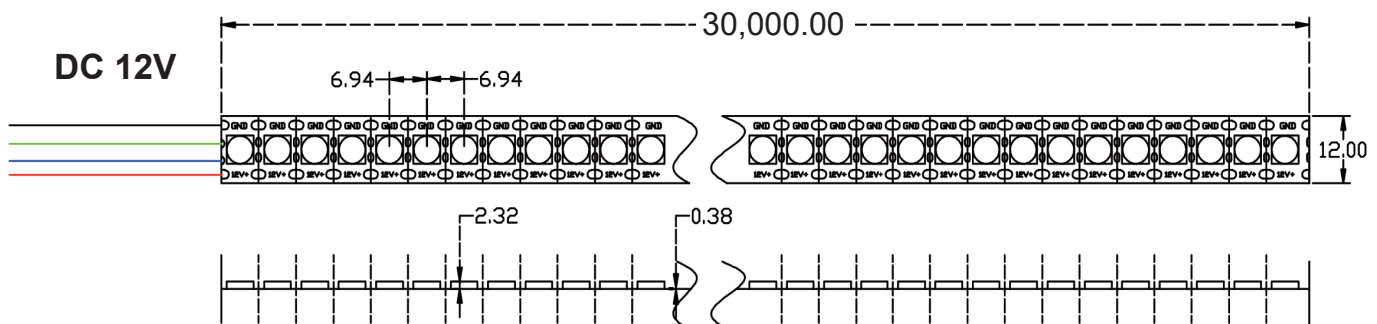
The 6588-RGB-2815-100 Series LED strip, its thick PCB and high quality SMD 5050 RGB chips built in WS2815 IC will ensure its long life and brightness. It can show thousands of color and effects with suitable controller. It also can show pictures and videos with special controller and program.

## Product Specifications

ITEM	Nominal CCT//WL	Luminous Intensity	IP Rating	Input Voltage
6588-RGB-2815-100	◆ R :620-625	48000 MCD	IP22	12V DC
	◆ G :520-525	120000 MCD	IP22	12V DC
	◆ B :465-470	32000 MCD	IP22	12V DC

- Limiting Control Method: CV - Constant Voltage
- Power Consumption: < 8.8W/FT
- Beam Angle: 120°
- LED Density: 43LEDs/ft / 144LEDs/m
- Cuttable Segments: 0.27 in (6.94 mm)
- Reel Length: 98.43ft / 30M
- Operating Temperature: -25°C to 60°C
- Mounting Non-Porous: 3M double sided Tape
- Board Type/Color: 3oz Density, White PCB
- Luminous Flux maintenance: 50,000 hrs
- Segment Width: 0.47 in (12 mm)
- Controlling: DMX, DPI

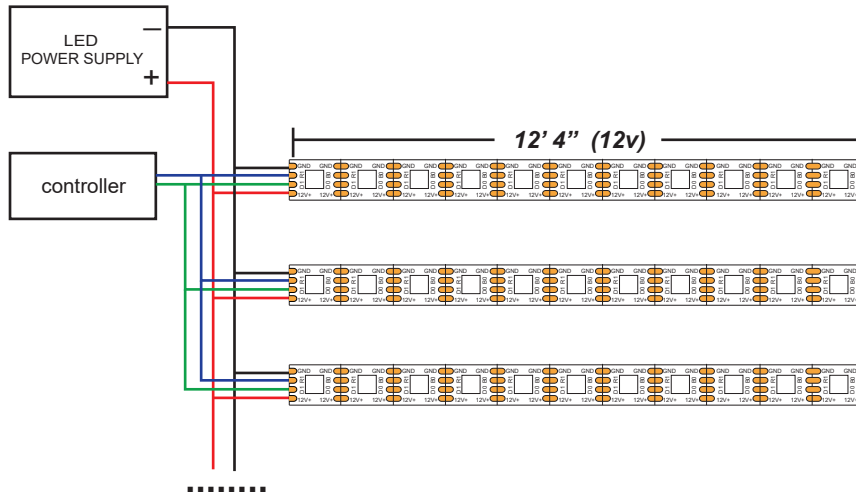
## Mechanical Dimensions



Unit:mm

## Parallel Connection Guide

Parallel connections are strongly recommended for LED Strip installation. It is important to not go over the recommended length. The LED Strip will start to dim after the recommended length and will damage the Strip over time.



## Middle Connection Guide

Middle connections are parallel connections that are used to create a longer singular line of LED Strip to prevent dimming a wire can be connected to the middle of the Strip.

