

3030-CCT-SQ-SM

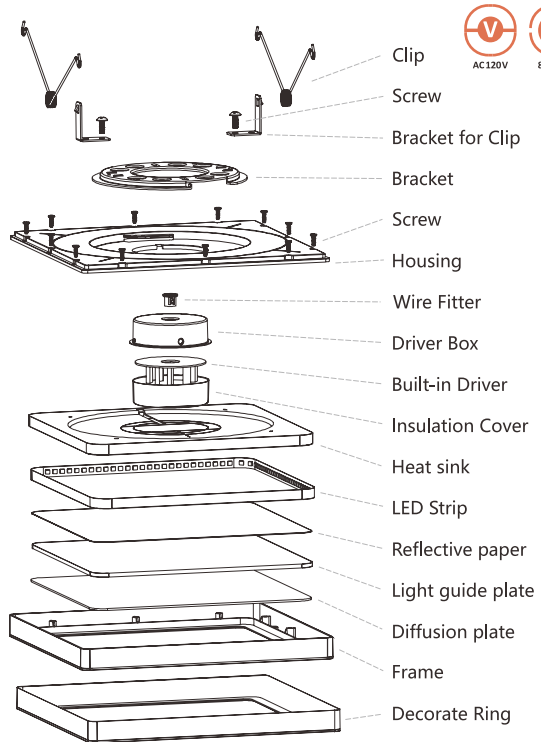
Super slim designed and belong to one of the most elegant led light.

MINI PANEL LIGHT / 2040LM / AC120V / 24W



Parameters:

Optical Parameters:	
CCT:	2800-3200K/4000-4500K/5000-6500K
Lumen output(lm)±5%:	2040 LM@3000K
Lumen efficacy:	85 LM/W
LED Type / Qty:	SMD2835 / 140PCS
CRI:	>80
Electrical Parameters:	
Rated Power(W)±5%:	24W
Rated / Actual Input:	AC 120V / 60Hz
Driver output Data:	120Vdc/ 140mA/ 16.8W
Power Factor / THD / PE:	>90% / <30 / 70%
Driver/Connection:	Driver Inside
Beam Angle:	120°
Over Load / Short Circuit:	Protection
Life:	
Warranty:	5 years
Lumen Maintenance:	80,000hrs
LM80:	>97.1% lumen maintance@6000hrs
Others:	
Dimmable Solution:	Triac (UL)
IP/IK/Glow-wire:	IP20
Operating Temp:	-20°C~+40°C
Storage Temp:	-40°C~+85°C
Frame Color RAL:	White / Black / Nickel



Dimension:

