

Please read carefully and save these instructions, as you may need them at a later date.

1. INSTALLATION OR ASSEMBLY INSTRUCTIONS

Wiring instructions that specify the proper method of connecting the grounding means and maintaining polarity shall be included with the luminaire in a manner that will require the installer to handle the instructions during installation.

2. "THIS PRODUCT MUST BE INSTALLED IN ACCORDANCE WITH THE APPLICABLE INSTALLATION CODE BY A PERSON FAMILIAR WITH THE CONSTRUCTION AND OPERATION OF THE PRODUCT AND THE HAZARDS INVOLVED" and "CE PRODUIT DOIT ÊTRE INSTALLÉ SELON LE CODE D'INSTALLATION PERTINENT, PAR UNE PERSONNE QUI CONNAÎT BIEN LE PRODUIT ET SON FONCTIONNEMENT AINSI QUE LES RISQUES INHÉRENTS"

3. "CONSULT A QUALIFIED ELECTRICIAN TO ENSURE CORRECT BRANCH CIRCUIT CONDUCTOR" and "CONSULTER UN ÉLECTRICIEN QUALIFIÉ POUR VOUS ASSURER QUE LES CONDUCTEURS DE LA DÉRIVATION SONT ADÉQUATS"

WARNING- RISK OF FIRE OR ELECTRIC SHOCK

•DO NOT MAKE OR ALTER ANY OPEN HOLES IN AN ENCLOSURE OF WIRING OR ELECTRICAL COMPONENTS DURING LAMP INSTALLATION.

•TO PREVENT WIRING DAMAGE OR ABRASION, DO NOT EXPOSE WIRING TO EDGES OF SHEET METAL OR OTHER SHARP OBJECTS.

•SUITABLE FOR WET LOCATIONS

•SUITABLE FOR TYPE IC OR SUITABLE FOR TYPE NON-IC

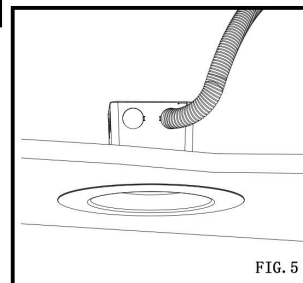
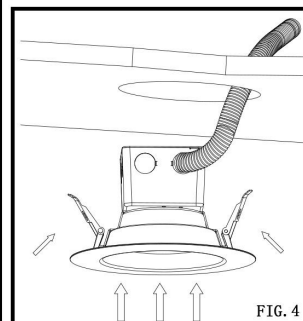
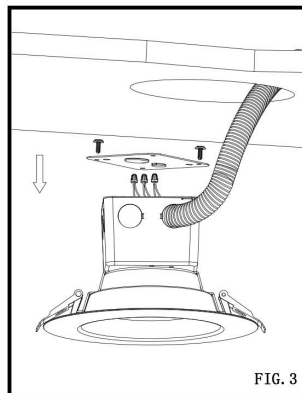
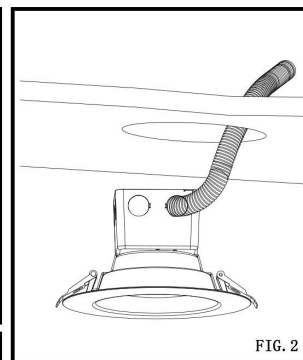
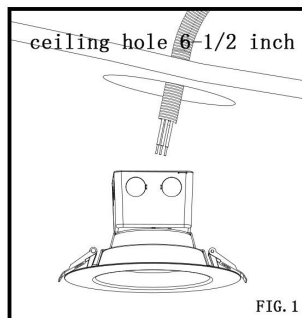
•THIS DEVICE IS NOT INTENDED FOR USE WITH EMERGENCY EXITS

ASSEMBLY AND INSTALLATION

This IC/AT fixture is intended for use in recessed cavities or suspended ceilings(with or without insulation).Choose the location for the fixture, taking into consideration the location of the joists, the 5-6 in.depth clearanc and electrical supply.

- Shut off power before installation
- Cut 6 ½ in. hole in the ceiling. (FIG1)
- When running the supply wire(s),allow an additional 18 in.of wire at each installation in order to make the electrical connections on the room side of the ceiling hole,identify the size of the wire.(FIG2)
- Remove the Junction Box Screws holding the Junction Box Cover.
- Using a screwdriver,push through the ¾ inch hole on the side.
- Using the quick connectors in the junction box insert the wires in the supply wire AS FOLLOWS:
 WHITE WIRE IN SUPPLY WIRE TO WHITE WIRE IN QUICK CONNECTOR (NEUTRAL)
 BLACK WIRE IN SUPPLY WIRE TO BLACK WIRE IN QUICK CONNECTOR (HOT/LIVE)
 GREEN / BARE WIRE IN SUPPLY WIRE TO GREEN WIRE QUICK CONNECTOR (GROUND)
- Carefully stuff all wires/connectors back into the junction box.
- Snap/replace the cover on top of the junction box.(FIG3)
- Press the top portion of the spring clips against the side of the Housing Assembly.(FIG4)
- Push the Housing Assembly with the top side of the Remodel Clips through the hole until tight. Continue to push the Housing Assembly until the fixture snaps into place with the trim tight against the ceiling(FIG5)

**WARNING - RISK OF ELECTRIC SHOCK.
DISCONNECT MAIN POWER AT FUSE OR CIRCUIT
BREAKER BEFORE INSTALLING OR SERVICING
THE FIXTURE.**



DIMMING

Dimming performance may depend on the dimmer, the dimmer range adjustment setting (for dimmers with brightness range adjustments), the wiring method, and/or the number of LED modules installed onto the dimmer circuit.

•For dimmer selection, Dimming control manufacturers revise their product often; for the latest list of compatible dimmers please visit our website.

•For best results, it is recommended to install a minimum of four LED modules onto one dimmer.

•Before turning on the LED lights, set dimmer position at maximum before adjusting to a lower light level.

•Please follow the dimming control manufacturer's instructions for the installation of all dimming controls.

Model No.	Voltage	Current	Wattage	CCT
4615-WW-JB	120V	0.125A	15	3000K
4615-NW-JB	120V	0.125A	15	4000K
4615-CW-JB	120V	0.125A	15	5000K