

Specification



Product	Dim To Warm COB LED Strip Light
Model No.	6474-COB-24V-DimtoWarm

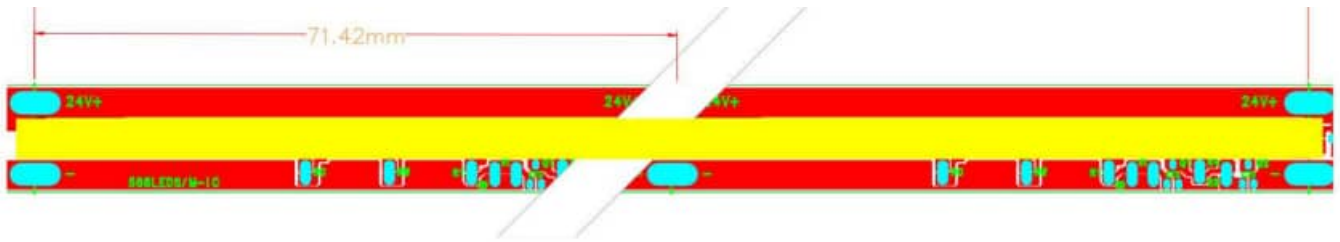
Features

- ⦿ High CRI over 90Ra;
- ⦿ SDCM<3;
- ⦿ CCT dimmable from 1800K to 3000K;
- ⦿ Environmental-friendly.
- ⦿ UL & CE & RoHS approved.

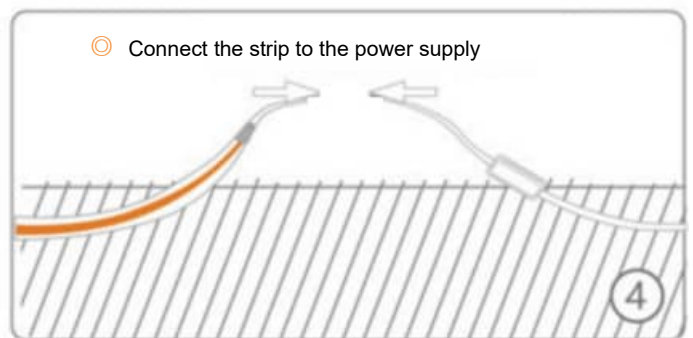
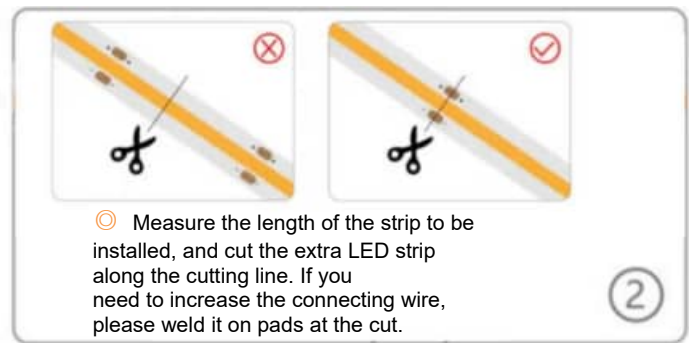
Parameter

Item No.	6474-COB-24V-DimToWarm
Voltage	24V
Color	1800K-3000K
LED Type	588 chips
Power	3.35W/Foot
Lumen	167LM/Foot (3000K)
Cutting	71.42mm
Beam Angle	180°
Length	16.4ft/roll 49.2ft/roll
IP Rated	IP20
CRI	≥ 90
PCB Size Available	12mm
Operating Temperature	-25° C ~ +45° C
Storage Temperature	-30° C ~ +80° C
Net Weight(kg)	0.12KG
Certificate	UL/CE/RoHS

Dimension (unit:mm)

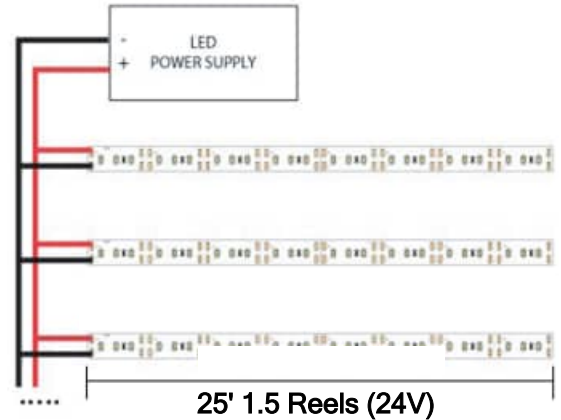


Installation step instructions and precautions:



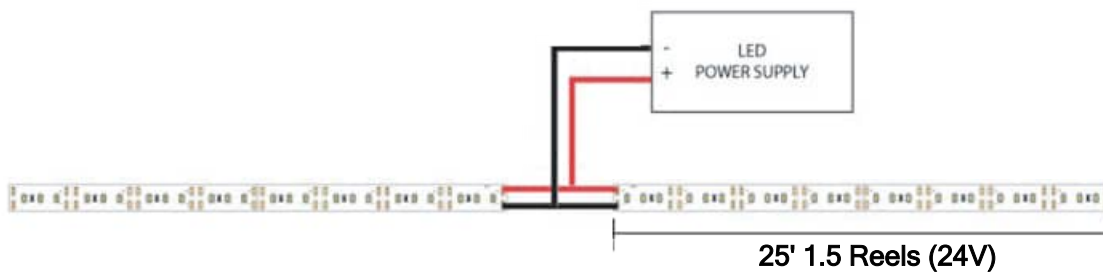
Parallel Connection Guide

Parallel connections are strongly recommended for LED Strip installation. It is important to not go over the recommended run length. The LED strip will start to dim after the recommended length and will damage the strip over time.



Middle Connection Guide

Middle connections are parallel connections that are used to create a longer singular line of LED strips. To prevent dimming a wire can be connected to the middle of the strip.



Double End Connection Guide

LED Strips can also be powered from both sides. This will double the length of the Max Run for your installation. Also two different power supplies can be used at each end to power the LED strips.

