

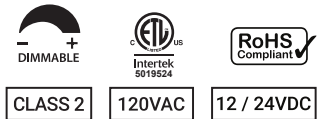
8900-SERIES

INPUT: 120VAC

Constant Voltage Magnetic

Phase Dimmable 12/24VDC LED Driver

The 8900-SERIES is the most compact magnetic core dimmable LED driver on the market, making it the perfect choice for tape lighting, tube lighting, linear lighting and multiple other residential and commercial lighting applications. Encased in a high-quality metal enclosure that includes multiple 7/8" knock-outs for easy installation, each unit is equipped with circuit breakers to protect both the driver and the LED load. All our magnetic LED drivers are phase dimmable with a standard leading edge TRIAC dimmer.



- Installation:** Integrated Junction Box with Multiple 7/8" Knock-Outs
- Driver Types:** Class 2 and Higher Power Single Channel Options
- Dimming:** Phase Dimmable with Leading (Forward) Edge MLV TRIAC Dimmer Only
- Input Voltage:** 120VAC, 50/60Hz
- Output Voltage:** 12VDC or 24VDC
- Environmental:** NEMA 3R ENCLOSURE
- Listing:** ETL Listed
- Certifications:** Conforms to UL8750, C22.2 NO. 223
- Warranty:** 5-Year Warranty

ORDERING GUIDES (120 VAC) -Auto & Manual Reset Breakers

Auto Reset Breakers

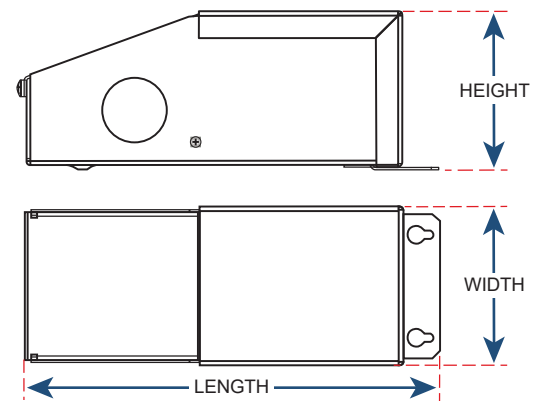
Example: 8900-20W-12V

Type	Max Power	Listing	Output	Safety
8900-20W-12V	20 ¹ – 20W (Class 2) 40 ¹ – 40W (Class 2) 60 ¹ – 60W (Class 2) 96 ^{1,2} – 96W (Class 2) 100 ³ – 100W 150 – 150W	ETL Listed	12VDC	Auto Reset
¹ Class 2 ² 24VDC only ³ 12VDC only				

Manual Reset Breakers

Example: 8900-150W-12V

Type	Max Power	Listing	Output
8900-150W-12V	150W	ETL Listed	12VDC
8900-200W-12V	200W	ETL Listed	12VDC
8900-200W-24V	200W	ETL Listed	24VDC
8900-300W-12V	300W	ETL Listed	12VDC
8900-300W-24V	300W	ETL Listed	24VDC



Dimensions	20W / 40W	60W / 96W	100W / 150W / 200W	300W
Length	5.59" (142.1mm)	6.53" (165.8mm)	10.07" (256mm)	10" (254mm)
Width	2.24" (57mm)	2.67" (68mm)	3.12" (79.4mm)	4.21" (106.9mm)
Height	2.22" (56.4mm)	2.38" (60.4mm)	2.89" (73.4mm)	3.46" (88mm)



8900-SERIES

INPUT: 120VAC

Specifications

Input	20W	40W	60W	96W
Input Voltage Range	120VAC ± 5%	120VAC ± 5%	120VAC ± 5%	120VAC ± 5%
Input Frequency	50 / 60Hz	50 / 60Hz	50 / 60Hz	50 / 60Hz
Input Current	0.32A (12VDC) 0.31A (24VDC)	0.5A (12VDC) 0.5A (24VDC)	0.71A (12VDC) 0.73A (24VDC)	--- 1.1A (24VDC)
Efficiency	69.3% (12VDC) 75.7% (24VDC)	68.5% (12VDC) 74.5% (24VDC)	69% (12VDC) 76% (24VDC)	--- 72.4% (24VDC)
Power Factor	0.7 (12VDC) 0.7 (24VDC)	0.88 (12VDC) 0.84 (24VDC)	0.87 (12VDC) 0.84 (24VDC)	--- 0.86 (24VDC)

Output	20W	40W	60W	96W
Max Load	20W	40W	60W	96W
Output Voltage @ Max Load	10.8V (12VDC) 23.2V (24VDC)	10.1V (12VDC) 21.6V (24VDC)	10.2V (12VDC) 22V (24VDC)	--- 19.7V (24VDC)
Output Current @ Max Load	1.66A (12VDC) 0.83A (24VDC)	3.30A (12VDC) 1.67A (24VDC)	5A (12VDC) 2.5A (24VDC)	--- 4A (24VDC)
Open Circuit Output Voltage	13.4VDC 26.5VDC	13.4VDC 26.5VDC	13.5VDC 27.2VDC	--- 25.4VDC

Environmental	20W	40W	60W	96W
Operating Temperature	-20°C - +45°C (-4°F - 113°F)	-20°C - +45°C (-4°F - 113°F)	-20°C - +45°C (-4°F - 113°F)	-20°C - +45°C (-4°F - 113°F)
Min. Installation Spacing	5"	5"	5"	5"
Thermal Class	B130°C	B130°C	B130°C	B130°C

Dimming	20W	40W	60W	96W
Minimum Dimming Level	5%	5%	5%	5%

Protection	20W	40W	60W	96W
Circuit Breaker	Primary & Secondary Auto Reset	Primary & Secondary Auto Reset	Primary & Secondary Auto Reset	Primary & Secondary Auto Reset

Mechanical Housing	20W	40W	60W	96W
Primary Leads	18 AWG	18 AWG	18 AWG	18 AWG
Secondary Leads	18 AWG	18 AWG	18 AWG	18 AWG
Length	5.59" (142.1mm)	5.59" (142.1mm)	6.53" (165.8mm)	6.53" (165.8mm)
Width	2.24" (57mm)	2.24" (57mm)	2.67" (68.0mm)	2.67" (68mm)
Height	2.22" (56.4mm)	2.22" (56.4mm)	2.38" (60.4mm)	2.38" (60.4mm)
Weight	2.2 lbs.	2.2 lbs.	3.1 lbs.	3.3 lbs.
Housing Material	Coated Metal	Coated Metal	Coated Metal	Coated Metal
Housing Color	Black	Black	Black	Black
Junction Box	Yes	Yes	Yes	Yes
Mounting	2-hole flange mount	2-hole flange mount	2-hole flange mount	2-hole flange mount

Approval Markings	20W	40W	60W	96W
Certificates/Approval Signs	ETL Listed Conforms to UL8750	ETL Listed Conforms to UL8750	ETL Listed Conforms to UL8750	ETL Listed Conforms to UL8750

8900-SERIES

INPUT: 120VAC

Specifications

Input	100W	150W	200W	300W
Input Voltage Range	120VAC ± 5%	120VAC ± 5%	120VAC ± 5%	120VAC ± 5%
Input Frequency	50 / 60Hz	50 / 60Hz	50 / 60Hz	50 / 60Hz
Input Current	1.1A (12VDC)	1.5A (12VDC)	2A (12VDC)	2.9A (12VDC)
	---	1.4A (24VDC)	2.05A (24VDC)	3.1A (24VDC)
Efficiency	68.5% (12VDC)	72.4%(12VDC)	72.8%(12VDC)	73.3%(12VDC)
	---	74%(24VDC)	74.6%(24VDC)	75.6%(24VDC)
Power Factor	0.9 (12VDC)	0.88 (12VDC)	0.89 (12VDC)	0.9(12VDC)
	---	0.88 (24VDC)	0.88(24VDC)	0.87(24VDC)

Output

	100W	150W	200W	300W
Max Load	100W	150W	200W	300W
Output Voltage @ Max Load	10.2V (12VDC)	9.9V(12VDC)	9.5V(12VDC)	9.3V(12VDC)
	---	18.4V(24VDC)	19.8V(24VDC)	19.6V(24VDC)
Output Current @ Max Load	8.33A (12VDC)	12.5A (12VDC)	16.67A (12VDC)	25A(12VDC)
	---	6.25A(24VDC)	8.33A(24VDC)	12.5A(24VDC)
Open Circuit Output Voltage	13.4V(12VDC)	12.5V(12VDC)	11.8V(12VDC)	11.8VDC
	---	23.2V(24VDC)	24.8V(24VDC)	24.8VDC

Environmental

Operating Temperature	(-20°C - 45°C) (-4°F - 113°F)	(-20°C - 45°C) (-4°F - 113°F)	(-20°C - 45°C) (-4°F - 113°F)	(-20°C - 45°C) (-4°F - 113°F)
Min. Installation Spacing	5"	5"	5"	5"
Thermal Class	B130°C	B130°C	B130°C	B130°C

Dimming

Minimum Dimming Level	5%	5%	5%	5%
------------------------------	----	----	----	----

Protection

Circuit Breaker	Primary & Secondary Manual Reset	Primary & Secondary Manual Reset	Primary & Secondary Manual Reset	Primary & Secondary Manual Reset
------------------------	-------------------------------------	-------------------------------------	-------------------------------------	-------------------------------------

Mechanical Housing

Primary Leads	18 AWG	18 AWG	18 AWG	18 AWG
Secondary Leads	16 AWG	14 AWG(12VDC)	14 AWG(12VDC)	14 AWG*2(12VDC)
	---	16 AWG(24VDC)	16 AWG(24VDC)	14 AWG(24VDC)
Length	10.07" (256mm)	10.07" (256mm)	10.07" (256mm)	10" (254mm)
Width	3.12" (79.4mm)	3.12" (79.4mm)	3.12" (79.4mm)	4.21" (106.9mm)
Height	2.89" (73.4mm)	2.89" (73.4mm)	2.89" (73.4mm)	3.46" (88mm)
Weight	4.8 lbs.	4.8 lbs.	4.8 lbs.	9.03 lbs.
Housing Material	Coated Metal	Coated Metal	Coated Metal	Coated Metal
Housing Color	Black	Black	Black	Black
Junction Box	Yes	Yes	Yes	Yes
Mounting	2-hole flange mount	2-hole flange mount	2-hole flange mount	2-hole flange mount

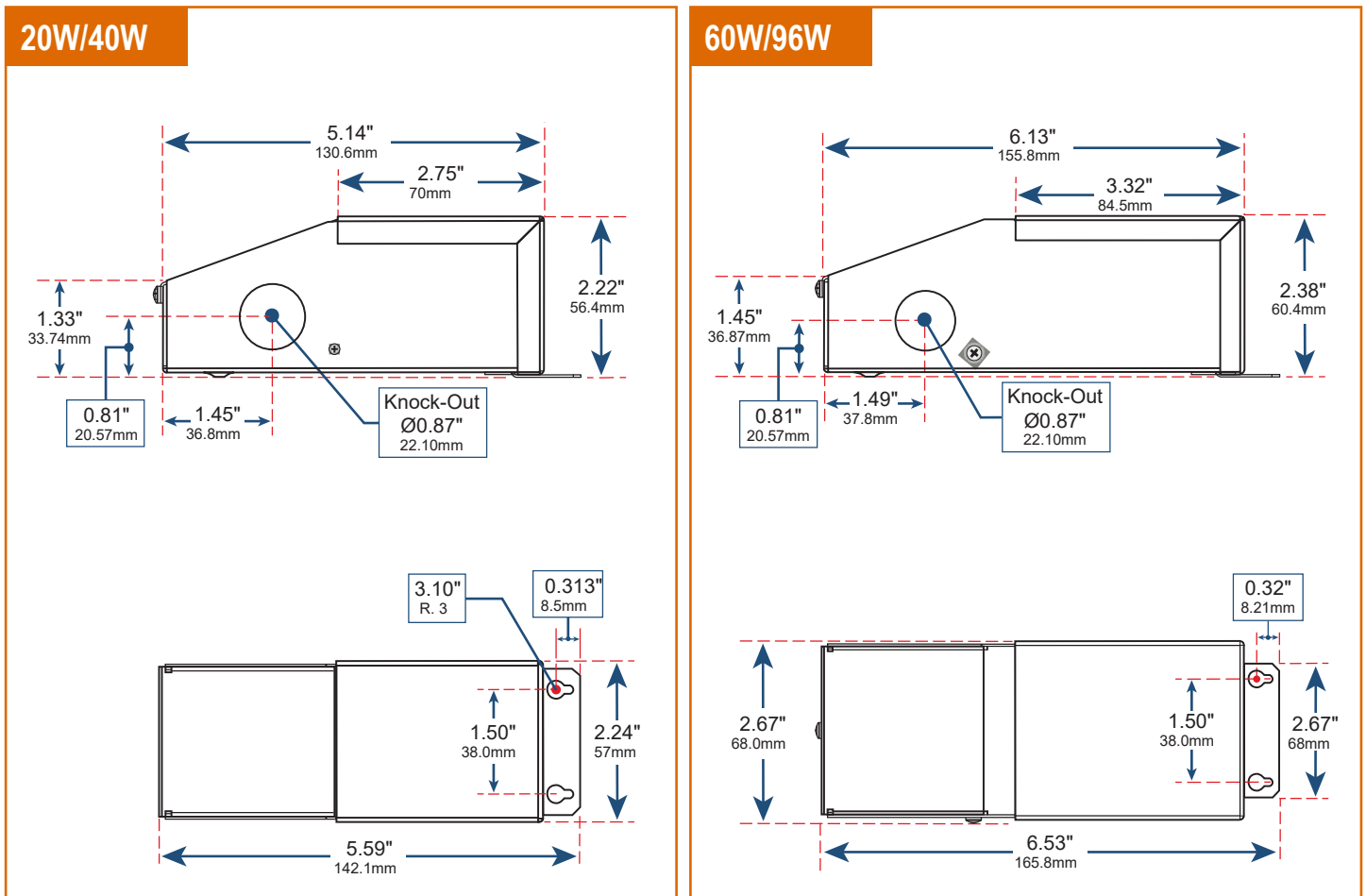
Approval Markings

Certificates/Approval Signs	ETL Listed Confirms to UL8750	ETL Listed Confirms to UL8750	ETL Listed Confirms to UL8750	ETL Listed Confirms to UL8750
------------------------------------	----------------------------------	----------------------------------	----------------------------------	----------------------------------

8900-SERIES

INPUT: 120VAC

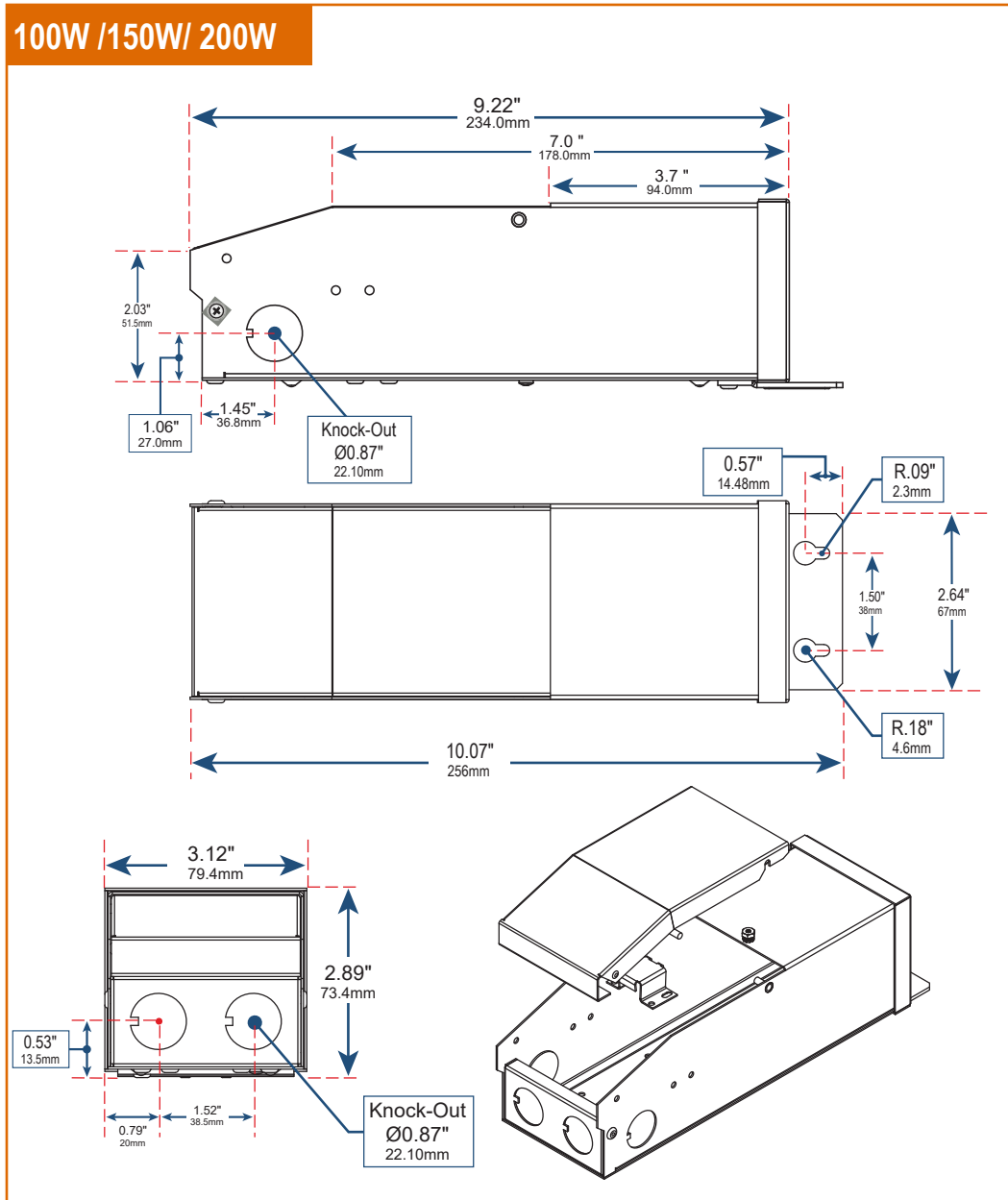
Mechanical Diagrams



8900-SERIES

INPUT: 120VAC

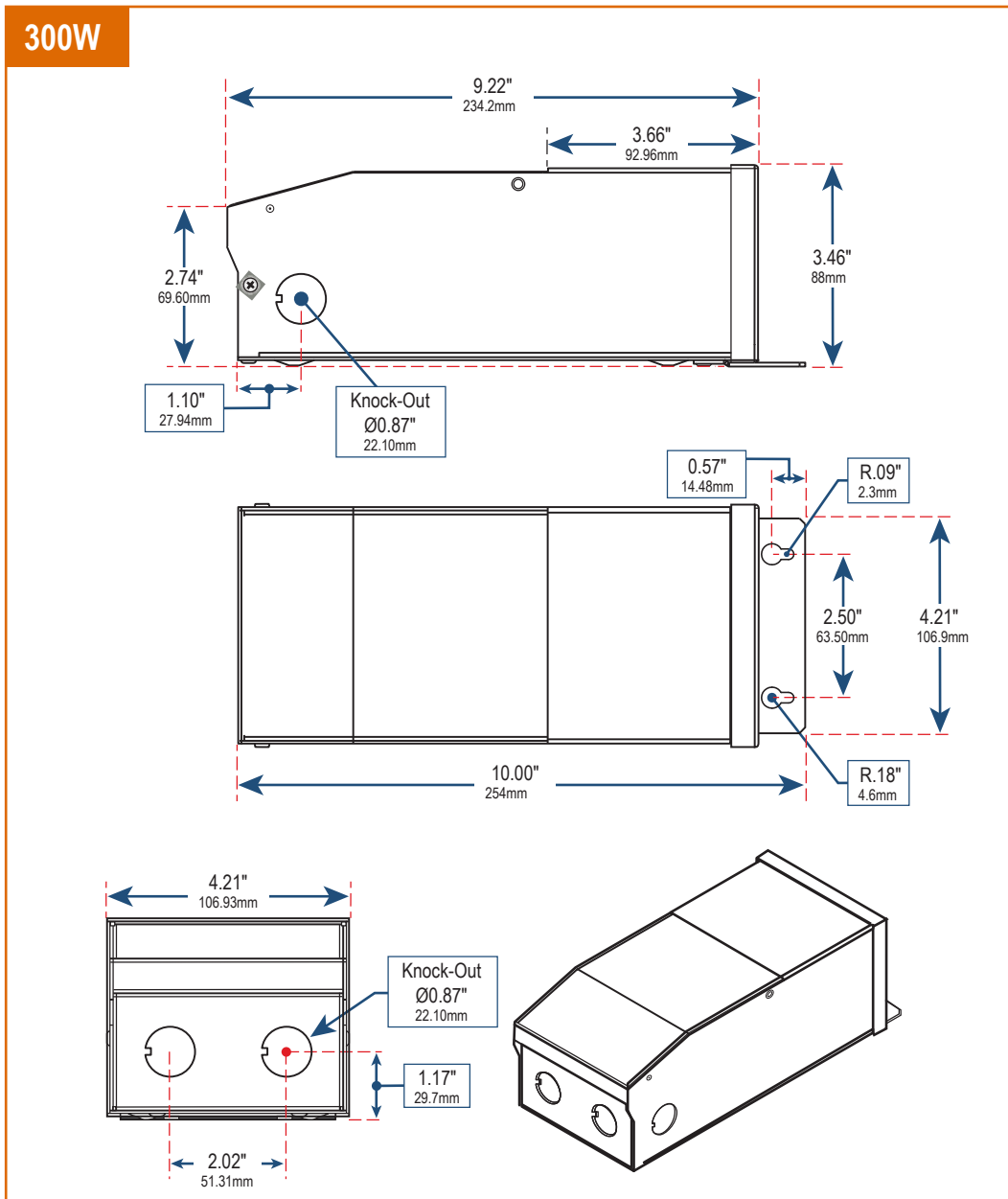
Mechanical Diagrams



8900-SERIES

INPUT: 120VAC

Mechanical Diagrams



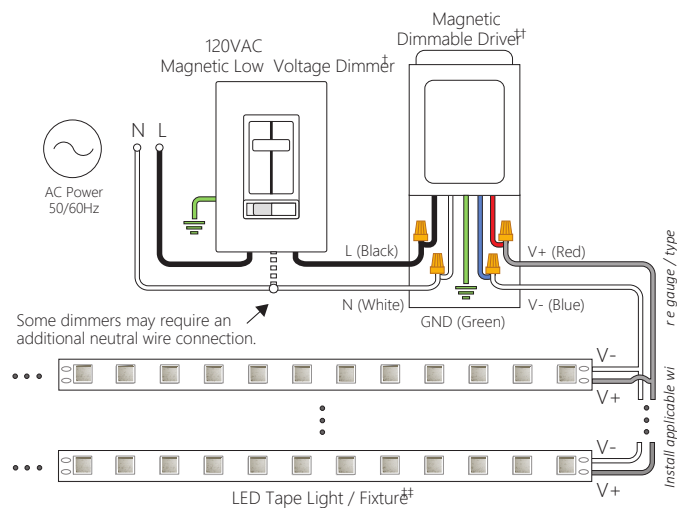
SYSTEM DIAGRAMS

The following diagrams are provided as example system designs. Install in accordance with national and local electrical code regulations.

DIAGRAM KEY

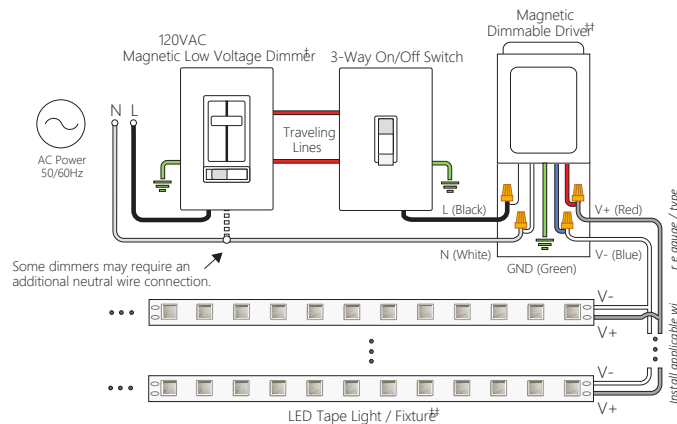
L = Line (Black) V+ = Low Voltage Positive (Red)
 B = Line Boost Tap (Orange) V- = Low Voltage Negative (Blue)
 N = Neutral (White)
 GND = Ground (Green)

STANDARD DIMMER/DRIVER DIAGRAM



3-WAY DIMMER/DRIVER DIAGRAM

Also applies to Multi-Tap Models.

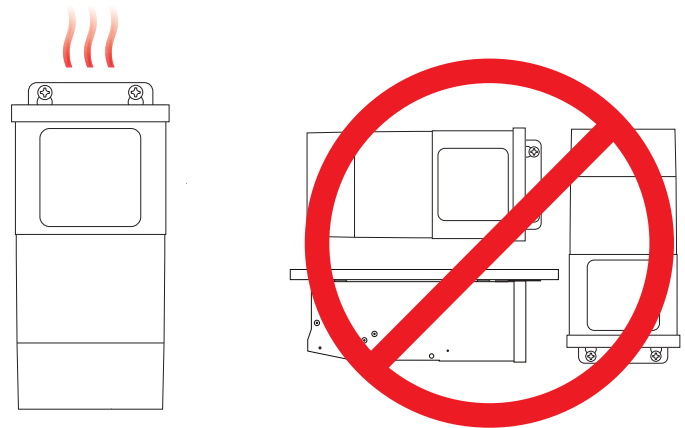


† Install a compatible magnetic low voltage dimmer switch. See dimmer switch manufacturer installation guide for complete wiring instructions.

‡ See fixture specifications for maximum series run limits.

MOUNTING

For proper heat dissipation, mount vertically to a sturdy surface with mounting tab at top and wiring compartment at bottom. For wet location installations, ensure to mount driver vertically in a location where water cannot pool or collect. When mounting multiple drivers, allow a minimum of 5 in. between drivers.



YES

NO

ADDITIONAL RESOURCES

[MAGNETIC DIMMABLE DRIVER Installation Guide](#)

[MAGNETIC DIMMABLE DRIVER Compatibility List](#)

SAFETY / WARNINGS / DISCLOSURES

1. This LED Driver is to be installed in accordance with Article 450 of the National Electrical Code or local code.
2. This product is intended to be installed and serviced by a qualified, licensed electrician.
3. Install in a well-ventilated area free from explosive gases and vapors.
4. This LED Driver must be grounded in accordance with the NEC or local codes. This driver must be grounded to the green grounding wire.
5. Only install compatible dimmable LED fixtures.
6. Ensure applicable wire is installed between driver and fixture. When choosing wire, factor in voltage drop, amperage rating, and type (in-wall rated, wet location rated, etc.). Inadequate wire installation could overheat wires, and cause a fire.
7. When installing a dimmer, always install a compatible Magnetic Low Voltage dimmer or damage to the driver and/or LED fixture may occur.
8. If not using a dimmer, always load the driver a minimum of 60% the labeled load or damage to the driver and/or LED fixture may occur.
9. For wet location installations, ensure to mount driver vertically and in a location where water cannot pool or collect.



10. 'Voltage drop' is a gradual decrease in voltage along a conductor through which current is flowing. When specifying an LED system, ensure to calculate voltage drop appropriately. Voltage drop calculators will suggest the proper gauge wire and distance to install the driver from the fixture. To meet maximum performance, the beginning of the tape light should be receiving no less than 3% of input power rating.
11. Do not install if product has any visible damage.
12. Do not modify or disassemble this product beyond instructions or the warranty will be void.

WARRANTY

Limited Warranty

This product has a five (5) year limited warranty from the date of shipment. This warranty does not include the additional accessories referenced in this specification sheet. For warranty related questions please contact product support.