

6374-12V-IP67-CRI90-AC/DC Series



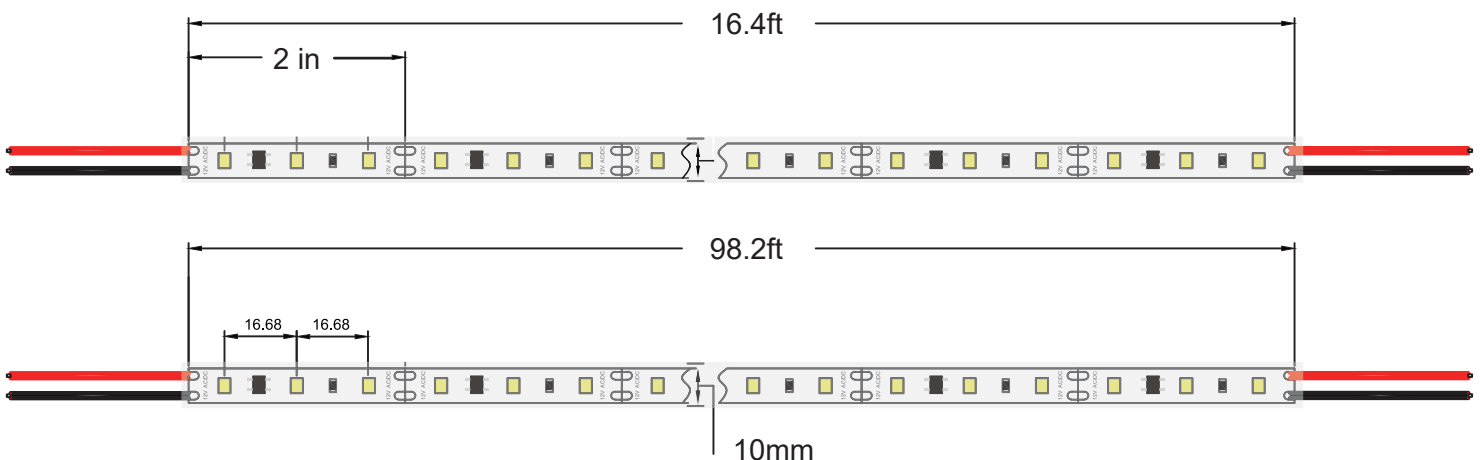
The 6374-12V-IP67-AC/DC is a versatile outdoor LED strip designed for landscape accent lighting. Featuring an integrated rectifier, this strip can run on both 12V AC and 12V DC, unlike standard strips that only support 12V DC. It is compatible with Malibu drivers and other 12VAC power supplies, providing flexible and reliable illumination for your outdoor spaces. With its IP67 rating, the 6374-12V-IP67-AC/DC ensures durability and performance in any weather condition.

Product Specifications

ITEM	Nominal CCT//WL	Luminous Flux (LM/M)	Light Efficiency (LM/W)	CRI	IP Rating	Input Voltage
6374-30K-12V-IP67-CRI90-AC/DC	● 3000K	460LM	96	90+	IP67	12V AC/DC
6374-30K-12V-IP67-CRI90-AC/DC-100	● 3000K	460LM	96	90+	IP67	12V AC/DC

- Limiting Control Method: CV - Constant Voltage
- Power Consumption: 1.5W/ft
- Beam Angle: 120°
- LED Density: 18LEDs/ft / 60LEDs/m
- Cutable Segments: 2 in (50 mm)
- Reel Length: 16.4ft / 5M ; 98.2ft / 30M;
- Operating Temperature: -25°C to +60°C
- Mounting Non-Porous: 3M double sided Tape
- Board Type/Color: 3oz Density, White PCB
- Luminous Flux maintenance: 50,000 hrs
- Segment Width: 0.39 in (10 mm)
- Dimmer: Dmx PWM, RF PWM, 0-10V, MLV Incandescent

Mechanical Dimensions

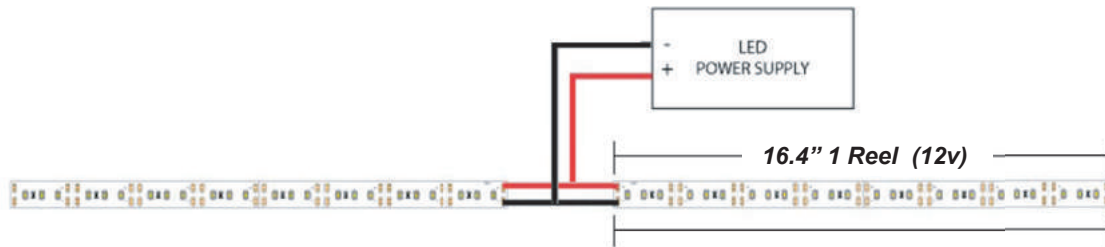
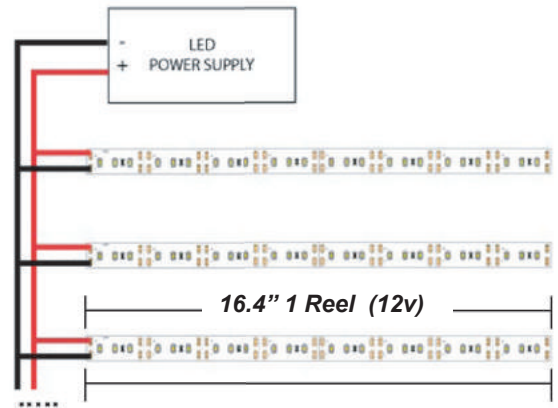


Parallel Connection Guide

Parallel connections are strongly recommended for LED Strip installation. It is important to not go over the recommended length. The LED Strip will start to dim after the recommended length and will damage the Strip over time.

Parallel Connection Guide

Middle connections are parallel connections that are used to create a longer singular line of LED Strip to prevent dimming a wire can be connected to the middle of the Strip.



Double End Connection Guide

LED Strip can also be powered from both sides. This will double the length of the Max Run for your installation. Also two same power supplies can be used at each end to power the LED Strip.

