

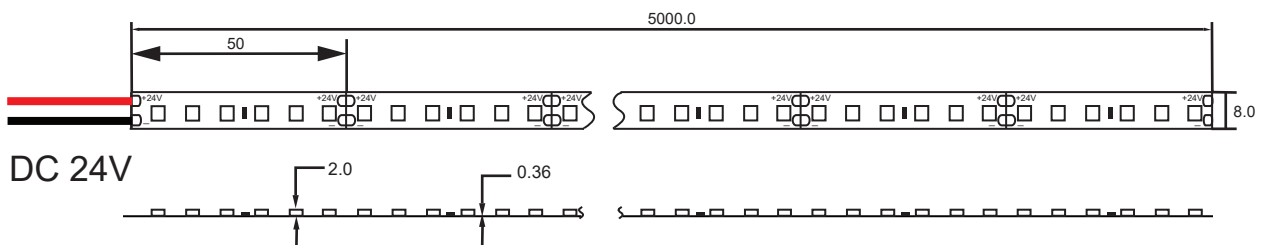
The UVA 15W series raises the bar for LED lighting. Its thick PCB board and high quality SMD 2835 chips will ensure its long life and bright. It is highly versatile, dimmable and suitable for both lighting and accenting. Available in a variety of voltages and color temperatures. Bring out the true color of your spaces LED chips. Deliver all the versatility of LED Strip with the same quality light as traditional lamps.

Product Specifications

ITEM	Wavelength	Luminous Intensity	IP Rating	Input Voltage
6474-UV-24V	◆ 390NM	8600 mlm	IP22	24V DC

- Limiting Control Method: CV - Constant Voltage
- Power Consumption: 15W/M
- Beam Angle: 120°
- LED Density: 36LEDs/ft / 120LEDs/m
- Cutable Segments: 2 in (50 mm)
- Reel Length: 16.4ft / 5M
- Operating Temperature: -25°C to +60°C
- Mounting Non-Porous: 3M double sided Tape
- Board Type/Color: 3oz Density, White PCB
- Luminous Flux maintenance: 50,000 hrs
- Segment Width: 0.31 in (8 mm)
- Dimmer: Dmx PWM, RF PWM, 0-10V, MLV Incandescent

Mechanical Dimensions



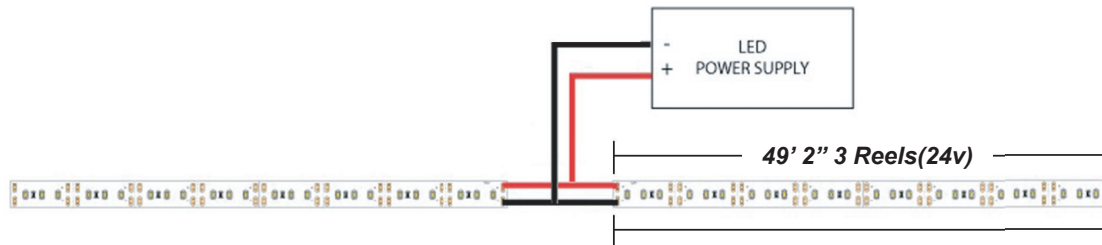
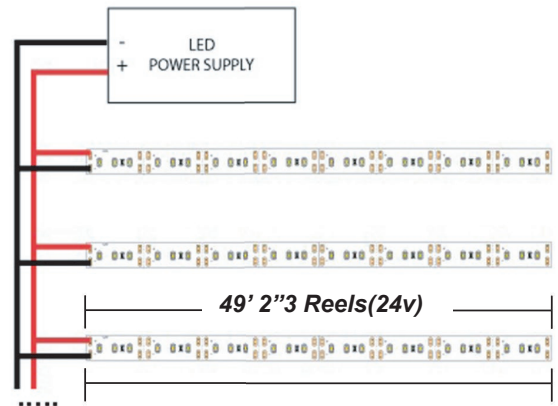
Unit:mm

Parallel Connection Guide

Parallel connections are strongly recommended for LED Strip installation. It is important to not go over the recommended length. The LED Strip will start to dim after the recommended length and will damage the Strip over time.

Parallel Connection Guide

Middle connections are parallel connections that are used to create a longer singular line of LED Strip to prevent dimming a wire can be connected to the middle of the Strip.



Double End Connection Guide

LED Strip can also be powered from both sides. This will double the length of the Max Run for your installation. Also two same power supplies can be used at each end to power the LED Strip.

