

## LED Flexible Strip




LM79 CRI90+  
LM80 TRUE COLORS 

### Description

The 6194 Long series has been engineered to long runs, up to 100 ft in a single run. This LED strip has a built in internal constant current circuit. This allows the LED strip to emit light for a long series connection without dimming at the end of the run. It is cuttable every 4 inches. This LED strip also has a +90 CRI for maximum light accuracy. It is IP67 rated for outdoor use, this make it suitable for outdoor accent lighting.

### Product Specifications

|                                  |  |
|----------------------------------|--|
| <b>Input Voltage</b>             | 24 V DC  |
| <b>Limiting Control Method</b>   | CV-Constant Voltage  |
| <b>Power Consumption</b>         | 0.73W/ft   |
| <b>Beam Angle</b>                | 120°   |
| <b>Cuttable Segments</b>         | 4 in (100 mm) for 24V  |
| <b>Reel Length</b>               | 98.4 ft/ 30 m  |
| <b>Segment Width</b>             | 0.39 in (10 mm)  |
| <b>Luminous Flux Maintenance</b> | 75,000 hrs   |
| <b>Dimming</b>                   | DMX PWM, RF PWM, 0-10V, MLV, Incandescent  |
| <b>Warranty</b>                  | 3 Years Limited  |
| <b>Certifications</b>            |  us <u>UL Listed, E467088</u> |
| <b>Operating Temperature</b>     | -20°F to 120°F   |
| <b>Mounting</b>                  | Non-Porous: 3M double sided Tape   |
| <b>LED Chip Type</b>             | High Quality SMD 2835  |
| <b>LED Density</b>               | 18 LEDs/ft/160 LEDs/m 3  |
| <b>Board Type/Color</b>          | oz Density, White PCB  |

| Nominal CCT (K) | Luminous Flux (lm/Ft) | Luminous Efficacy (lm/W) | CRI |
|-----------------|-----------------------|--------------------------|-----|
| 2700 K          | 45                    | 60                       | 90+ |
| 3000 K          | 47                    | 63                       | 90+ |
| 4000 K          | 48                    | 66                       | 90+ |
| 6000 K          | 51                    | 68                       | 90+ |



IP67

### Ordering Guide

| Series | CCT | Voltage | IP Rating | Length    |
|--------|-----|---------|-----------|-----------|
| 6174   | XX  | XX      | 67        | XX — Long |

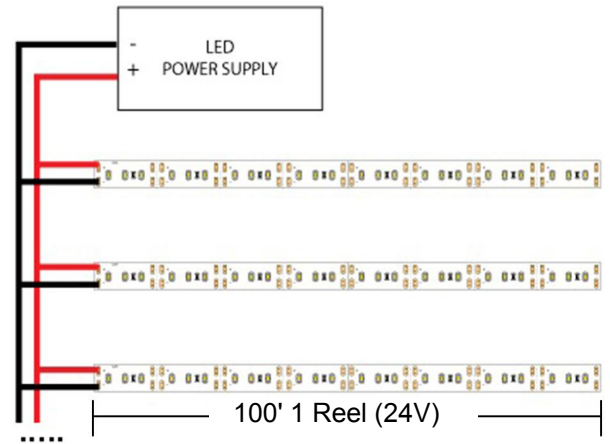
1 - Contact Richee for exact warranty period and policy.

2 - Lumen output are measured according to PMS 80, with a tolerance of +/- 5%

3 - Standard package: 5m/roll

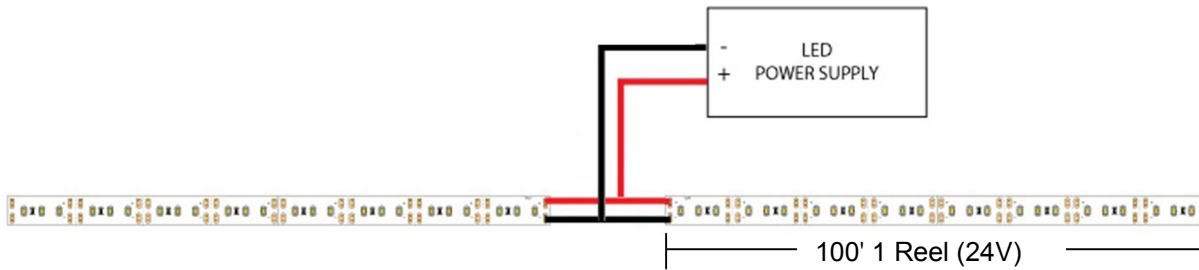
## Parallel Connection Guide

Parallel connections are strongly recommended for LED Strip installation. It is important to not go over the recommended run length. The LED strip will start to dim after the recommended length and will damage the strip over time.



## Middle Connection Guide

Middle connections are parallel connections that are used to create a longer singular line of LED strips. To prevent dimming a wire can be connected to the middle of the strip.



## Double End Connection Guide

LED Strips can also be powered from both sides. This will double the length of the Max Run for your installation. Also two different power supplies can be used at each end to power the LED strips.

